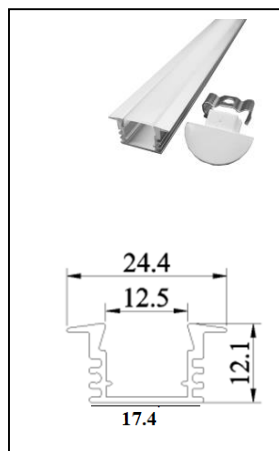
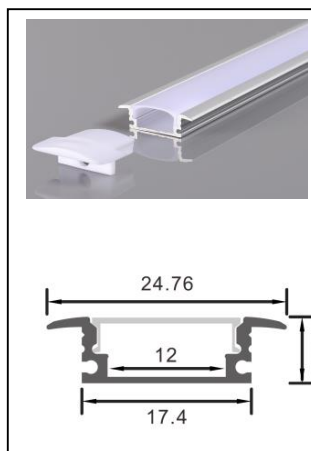


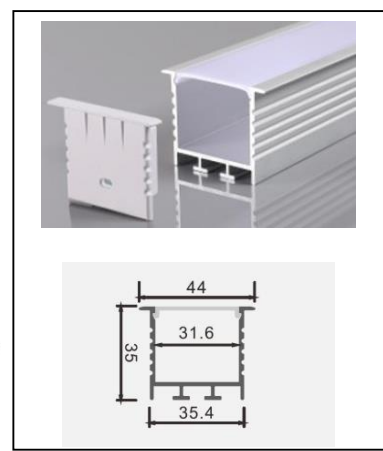
Recessed CL-0809A



Recessed CL-020-2412



Recessed CL-2507



Recessed CL-030-3535A

Characteristics

Aluminium extrusions provide superior thermal management for LED strips which help to prolong their lifespan. It is suitable to be used with Led Strips 8-12mm wide.

Model	CL-0809A	CL-020-2412	CL-2507	CL-030-3535
Type	Recessed			
PC Cover	Milky			
Dimension	11.20 x H9 mm	24.4 x H12.1 mm	24.76 x H7 mm	43.6 x H34.8 mm
Cutout	7.6 mm	17.4 mm	17.4 mm	35.4 mm
PCB Size	≤ 5.6 mm	≤ 12 mm	≤ 12 mm	≤ 2 x 12 mm
Accessory	2pcs Plastic End Caps, 2pcs fix clip per mtr			
Material	Aluminium 6063 and PC			